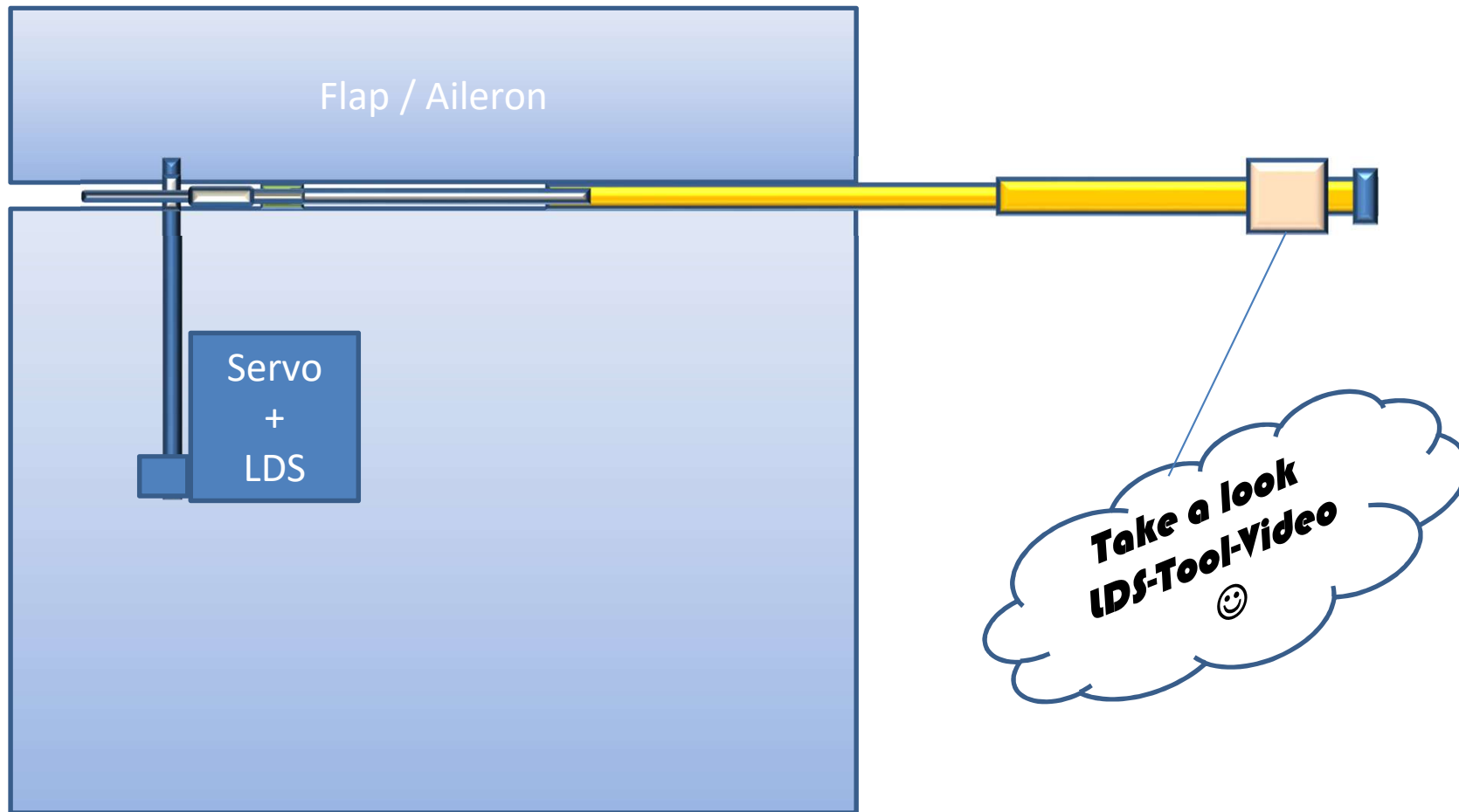
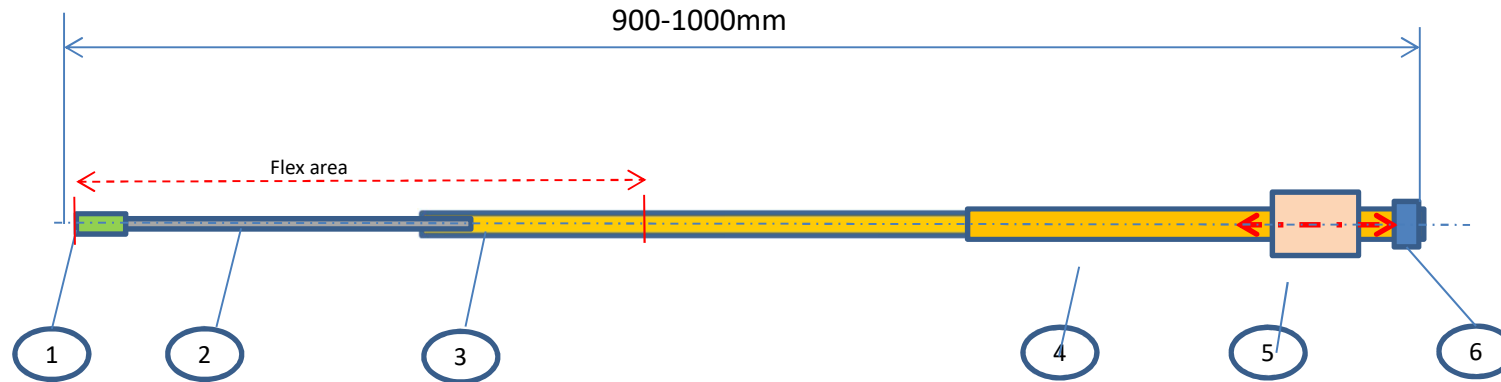


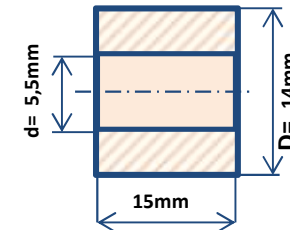
**LDS-Tool Conception:  
Push-Pull-Tool & New-LDS-Pin**



## LDS-Push-Pull Tool



**Detail Pos. 5 -**  
LDS-Pin -Pull- Mini-Hammer



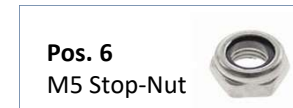
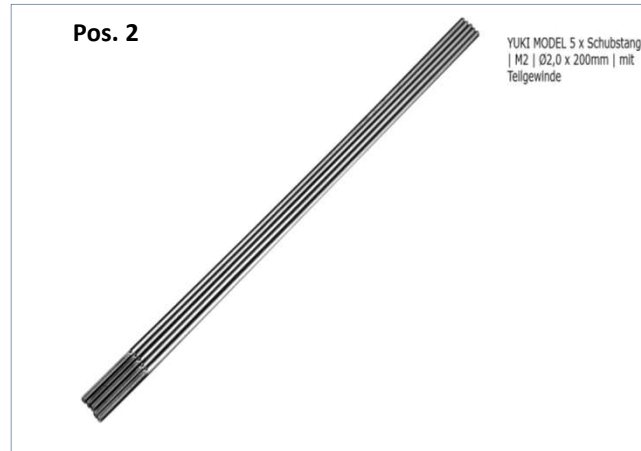
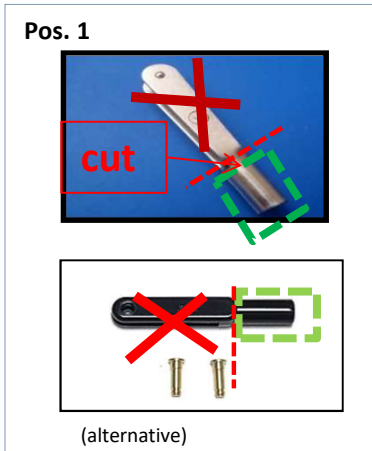
Pos. 1+2+3+4+6 are Soldering

## New LDS-Pin



Pos. 7+8 are Soldering

# Partlist- LDS-Tool



| position | part-name                  | Pcs. | size                   | material     |
|----------|----------------------------|------|------------------------|--------------|
| 1        | metric threw nut           | 1    | M2                     | steel / PP   |
| 2        | steel with M2-thread       | 1    | M2 x 200mm             | steel        |
| 3        | brass tube                 | 1    | D=3mm d=2,1 mm x 500mm | brass        |
| 4        | brass tube                 | 1    | D=5mm, d=4,1mm x 250mm | brass        |
| 5        | option: Pull-Mini-Hammer   | 1    | D=14mm d=5,2mm, 15mm   | brass/steel  |
| 6        | stopper (nut metric or ..) | 1    | M5-Stop                | steel, brass |
| 7        | thread coupler             | 4    | M2x1,6mm               | steel        |
| 8        | steel                      | 4    | dia 1,50mm x 30mm      | steel        |