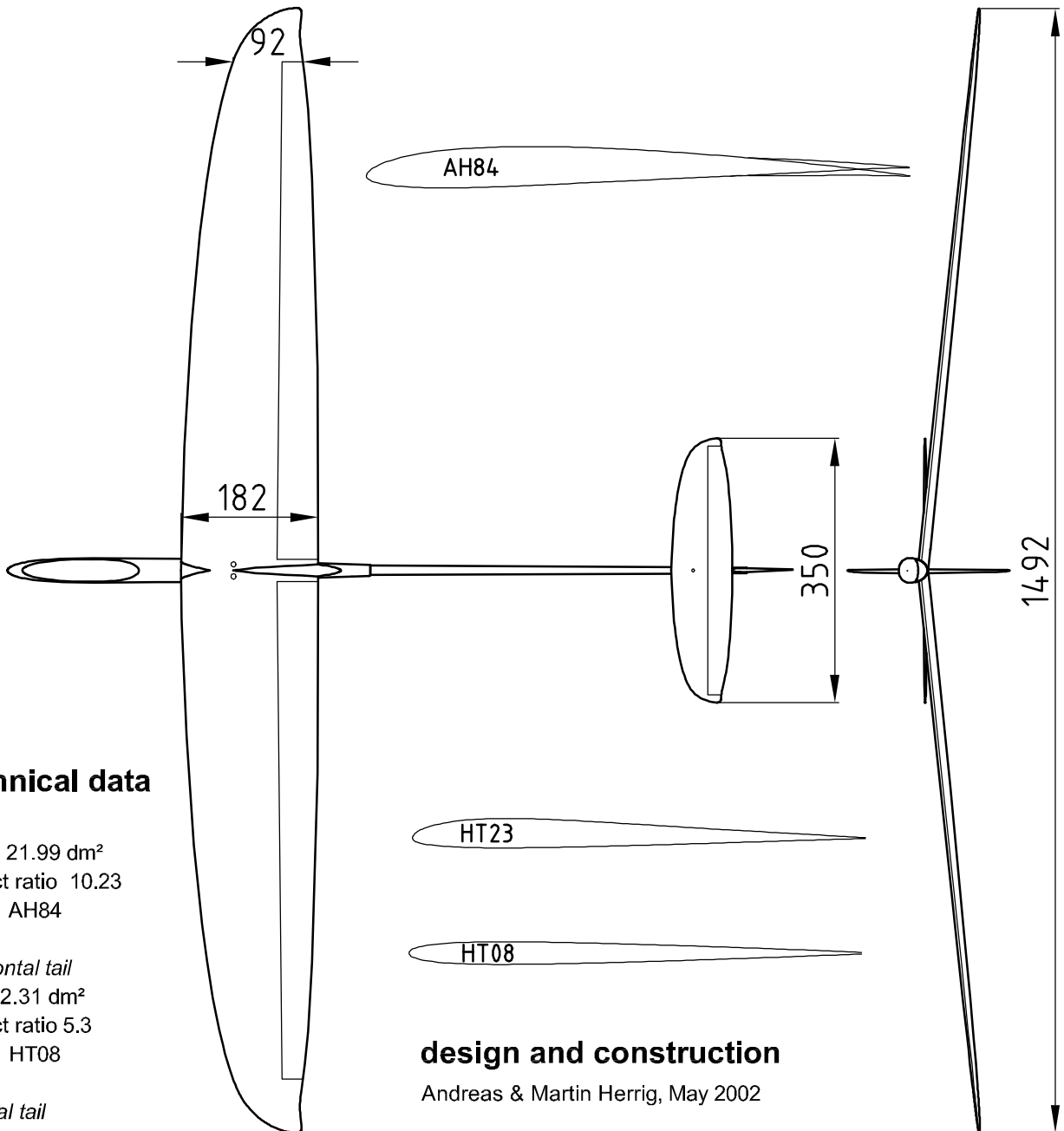
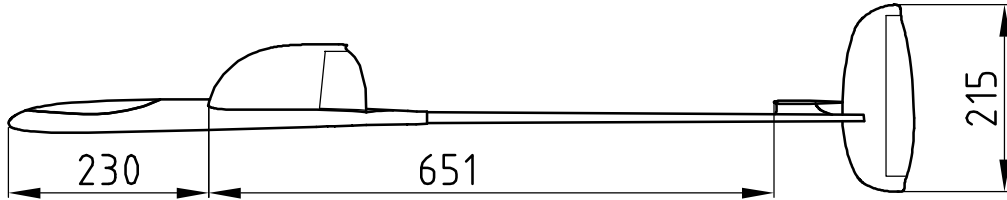


ASPIRIN



technical data

wing

area 21.99 dm²
aspect ratio 10.23
airfoil AH84

horizontal tail

area 2.31 dm²
aspect ratio 5.3
airfoil HT08

vertical tail

area 1.52 dm²
aspect ratio 3.24
airfoil HT23

mass 270 - 300 g

wing loading 12.2 - 13.6 g/dm²

design and construction

Andreas & Martin Herrig, May 2002

contributors

Stephan Herrig, Martin Hirsch, Siegfried Schedel, Mr. Hamatschek,
Jens Buchert, Peter Jost

©Andreas Herrig - not for unauthorized commercial use!